



CAT6 KEYSTONE JACK 180° PUNCHDOWN



Technical information

Features:

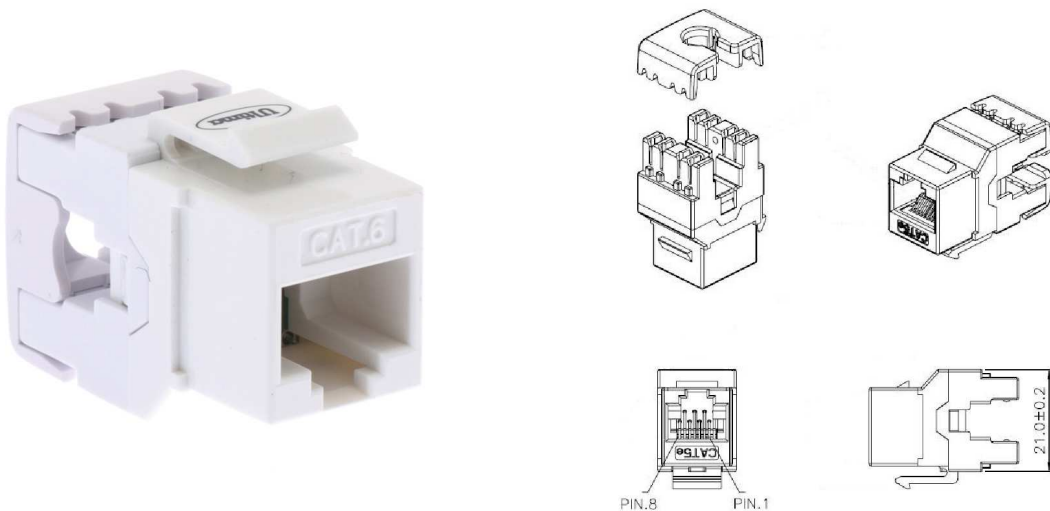
- ◆ RJ45 8P8C jack
- ◆ Cat6 compliant performance
- ◆ 568A & B wiring options
- ◆ 110 Punchdown
- ◆ For use in Ultima keystone panels, shutters and faceplates
- ◆ Third Party accredited performance
- ◆ 25 year Ultima System Warranty

Materials

Jack Housing	ABS+PC, UL94V-0
RJ45 Jack Contact	Phosphor bronze, nickel plated, finished with 50µ gold plating on plug contact area
IDC Housing	PC+Glass Fibre, UL 94V-2
IDC Contact	Phosphor bronze, tin plated
Wire Retention Cap	ABS, UL94V-0

Performance

Insertion Force	20N max.
Retention Strength	7.7kg between Jack and Plug
Operating Temperature	-10°C to 60°C
Mating Cycles	750 cycles min.
IDC Wire Range	22-26 AWG solid wire. Compatible with 110 punchdown tool



Part Number

Item	Description	Type	Termination	Colour
781935	Keystone Jack Cat6	Unshielded	180° Punchdown	White
792381	Keystone Jack Cat6	Unshielded	180° Punchdown	Black



Compliance Statement

Unscreened Category 6 ISO/IEC, EN & TIA Connecting Hardware

Comtec Ultima Cat6 Keystone Jack, P/N 781935

Category 6, Unscreened, Keystone Jack
Electrical Transmission Performance

Comtec Cable Accessories Ltd.

**Cardinal Way, Cardinal Distribution Park
Godmanchester, Huntingdon, PE29 2XN, England**

Compliance Statement No. 113764D

This Unscreened ISO/IEC, EN & TIA Connecting Hardware having board identification "A0402 KJ18 H 12", has been tested by 3P Third Party Testing and complies with the Category 6 transmission requirements of edition 2.2 of ISO/IEC 11801, CENELEC EN 50173-1:2011, ANSI/TIA 568-C.2 and 2nd Edition IEC 60603-7-4. The requirements are passed using the total range of re-embedded vectors specified in ANSI/TIA-568-C.2 and IEC 60512-27-100. The qualification activity includes factory and assembly line inspection. The Compliance Statement will be suspended or withdrawn if the keystone jack fails to pass a Maintenance of Qualification Testing that is concluded not later than 1st December 2017.

Hoersholm, 22nd November 2016

Ole Lambertsen

Ole Lambertsen
Test Responsible

Hoersholm, 22nd November 2016

Poul Villien

Poul Villien
Coordinating Manager