

WEATHERPROOF BOX IP65

Technical Information

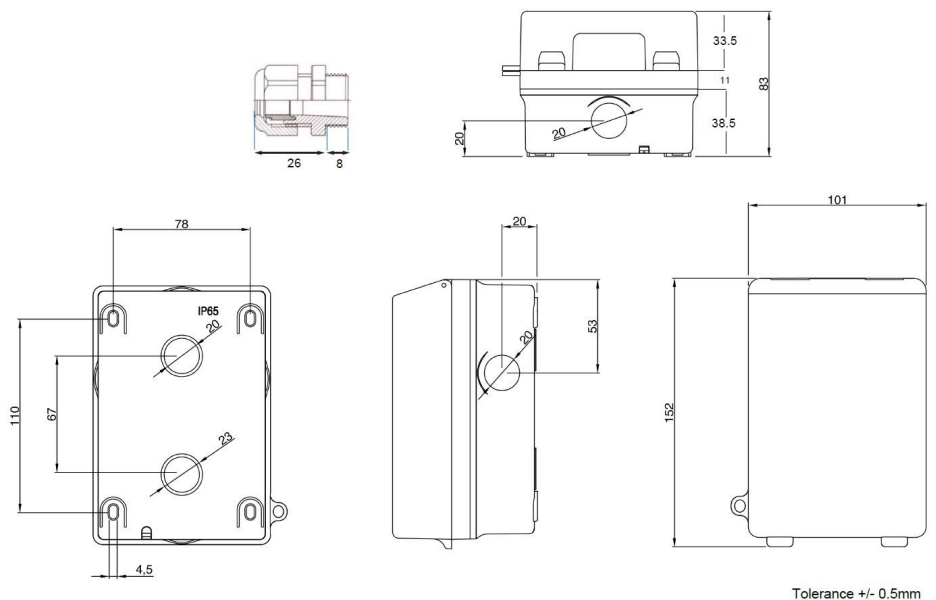


Features:

- ◆ Suitable for use in industrial or external environments
- ◆ IP65 rated
- ◆ Waterproof and weatherproof
- ◆ Supplied with IP65 gland suitable for cable 4-8mm diameter
- ◆ 20mm knock-outs located top, bottom, side and back
- ◆ Padlock facility
- ◆ Fitted with 50x50 Euro faceplate
- ◆ Accepts industry standard 25x50 Euro modules

Specifications

Material	Fire Retardant ABS
Colour	Grey - RAL7032
Dimensions	152 x 83 x 101mm



Part Numbers

Item	Description	IP Rating	Accessories	Colour
821473	Weatherproof Box	IP65	Unloaded	Grey