

ULTIMA FLAT PACK WALL BOXES

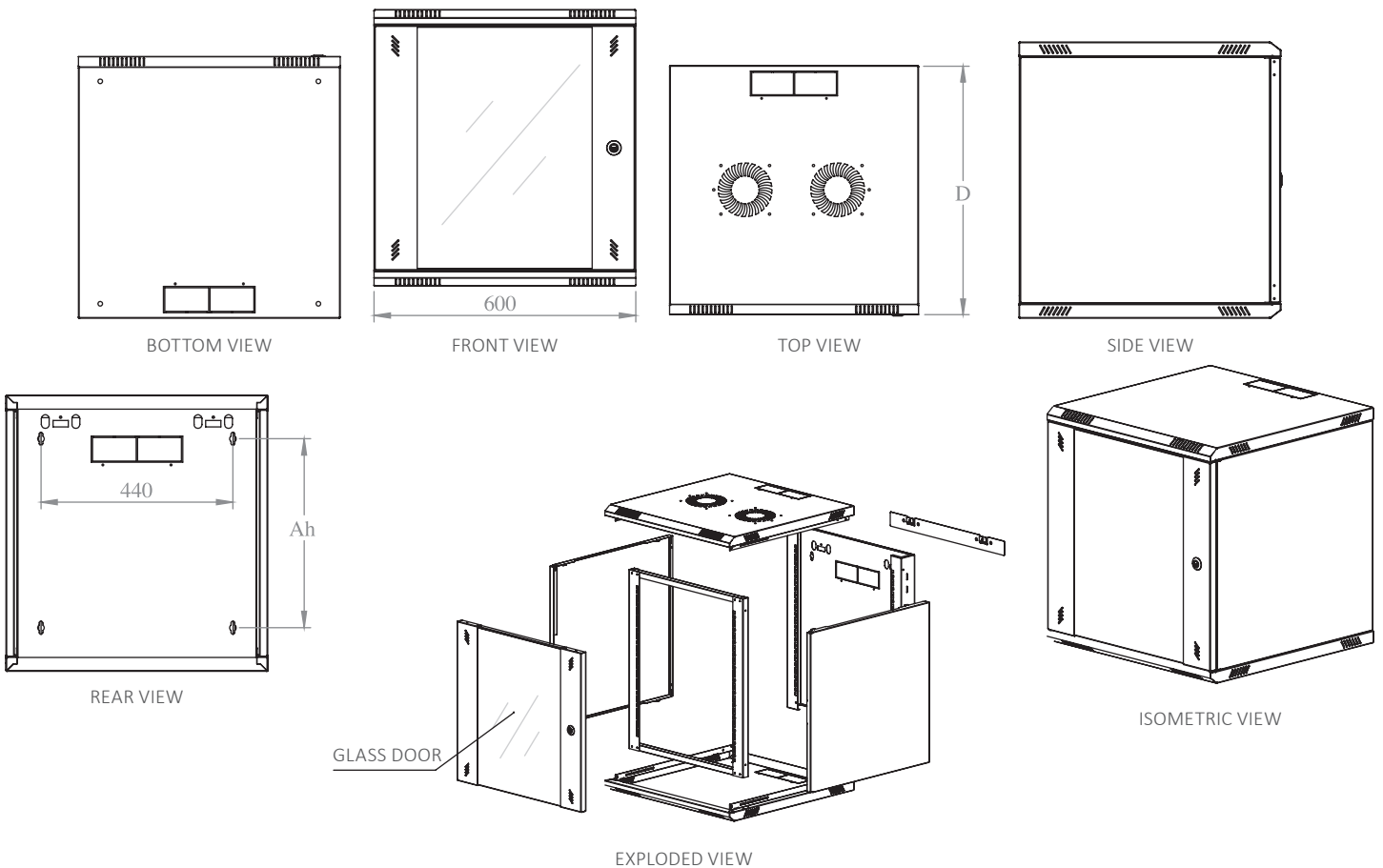
Technical Information



Flat pack wall boxes offering superior load performance. Suitable for housing a wide range of equipment such as switches, patch panels and cables, telecom equipment, PDUs, UPS's and batteries. 600mm wide they are available in 6 heights from 6U through to 21U and two depths 450mm or 600mm.

Features:

- ◆ Supplied in flat pack form
- ◆ Lockable toughened glass door with quick release hinges
- ◆ Door can be hinged left or right
- ◆ Secure side panels with a hidden spring loaded pin system (side panels can only be opened when the front door is unlocked)
- ◆ Rigid bolt together construction, with superior load capability (12U version tested with 100kg)
- ◆ 19" mounting rails included. Front rails with U height
- ◆ markings and adjustable in depth, the rear rails are fixed to the rear frame
- ◆ The top cover has 2 x vented areas to aid ventilation and fitment of single or twin fans for forced air cooling
- ◆ Cable entry positions are provided in the top, base and rear with knockout pieces
- ◆ Wall fixing bracket included (fixings not supplied, based on wall structure ie, brick, concrete, plasterboard)
- ◆ Paint finish is RAL 9005 black fine wrinkle soft touch paint

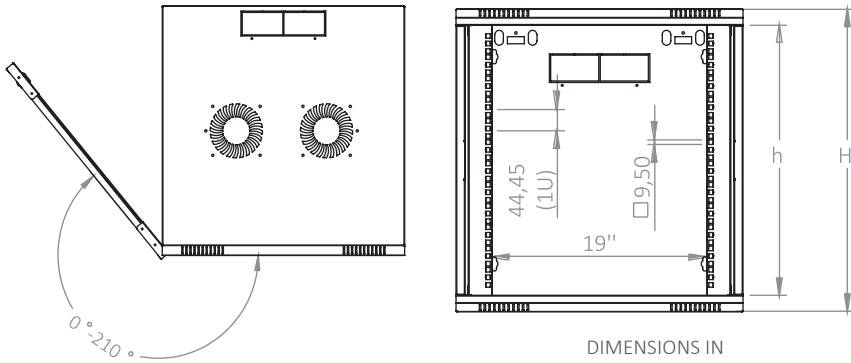


| Part Definition | Material Quality | Material Thickness (mm) | Shipment Configuration |
|------------------------------|----------------------------------|-------------------------|------------------------|
| Main Body (Structure) | DIN EN 10130-DC-01-6112 CRS | 0.8mm | 1 |
| Front Door | EN 12150-1 Tempered Secure Glass | 4.0mm | 1 |
| 19" Equipment Mounting Rails | DIN EN 10130-DC-01-6112 CRS | 1.2mm | 2 |
| Rear Body Frame | DIN EN 10130-DC-01-6112 CRS | 1.0mm | 1 |
| Side Panels | DIN EN 10130-DC-01-6112 CRS | 0.8mm | 2 |
| Wall Entry Hanging Bracket | DIN EN 10130-DC-01-6112 CRS | 1.5mm | 1 |

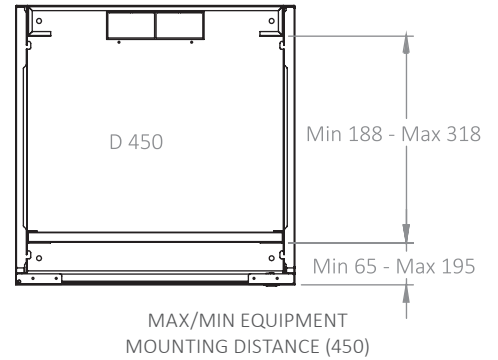
| | |
|----|------------------|
| Ah | Alignment Height |
| h | Internal Height |
| H | Overall Height |
| D | Depth |

ULTIMA FLAT PACK WALL BOXES

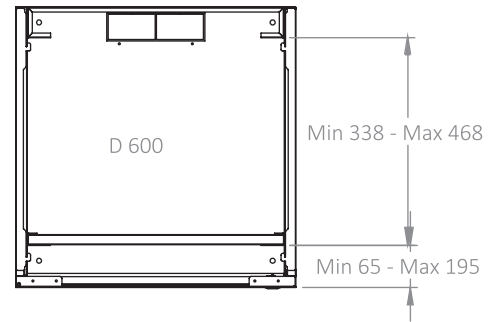
Technical Information



DIMENSIONS IN WIDTH & HEIGHT



MAX/MIN EQUIPMENT MOUNTING DISTANCE (450)



MAX/MIN EQUIPMENT MOUNTING DISTANCE (600)

FRONT DOOR OPENING ANGLE

| | AH - Alignment Height | h - Internal Height | H - Overall Height | D - Depth |
|-----|-----------------------|---------------------|--------------------|-----------|
| 4U | 78 | 210 | 278 | 450-600 |
| 6U | 167 | 299 | 367 | 450-600 |
| 9U | 301 | 432 | 500 | 450-600 |
| 12U | 434 | 565 | 633 | 450-600 |
| 15U | 567 | 698 | 766 | 450-600 |
| 18U | 700 | 832 | 900 | 450-600 |
| 21U | 834 | 934 | 1033 | 450-600 |

Standards & Compliance

| | |
|------------------------|--|
| Structure | EN 60297 mechanical structures for electrical and electronic equipment |
| | EN 60917 modular order for the development of mechanical structures for electronic equipment practices |
| | EN 61587-1 Mechanical structures for electronic equipment - Tests for IEC 60917 and IEC 60297 series - Part 1: Environmental requirements, test set-up and safety aspects for cabinets, racks, sub racks and chassis under indoor conditions |
| | Climatic and environment: EN 61587-1/4.2, IEC60068-2-1, IEC60068-2-2, IEC60068-2-30 |
| Door | EN 12150-1 compliant tempered, anti-static, secure, grinded edges glass front door- t: 4,0mm DIN 1743, DIN 53571, RoHS compliant barrel quarter turn lock on front door |
| Mechanical Load | Static mechanical load lifting: EN 61587-1/5.2.1 Dynamic mechanical load vibration and shock, impact: EN61587-1/5.3.1, EN61587-1/5.3.3, IEC60068-2-6, IEC60068-2-27 |
| Earth Bond | EN61587-1/6.2 |
| Flammability | EN 61587-1/6.3 |
| Protection | IP20, EN61587-1/6.4 |
| Finish | EN 13501-1+ A1- epoxy powder coated compliant to fire classification of construction products and building elements Part 1: classification using data from reaction to fire tests |
| | Epoxy powder coating tested as per EN ISO 9227 and ASTM B 117 corrosion tests in artificial atmospheres - salt spray tests |
| | EN ISO 2409 paints and varnishes - cross-cut test EN ISO 2178 non-magnetic coatings on magnetic substrates - measurement of coating thickness - magnetic method |
| Compliance | RoHS compliancy according to 2011/65/EU |
| | CE compliant to EN 60950-1 |

ULTIMA FLAT PACK WALL BOXES



Technical Information

| | |
|-----------------------------|---|
| Materials | Sheet steel compliant to EN 10130 cold rolled sheet steel with DC-01 6112 or 7122 grade Fixing elements are compliant to connection elements (bolt, nuts, shim, etc.) "DIN 7985, DIN 965, DIN 7981, DIN 934, DIN 985, DIN 933-coated according to EN ISO 2081 metallic and other inorganic coatings - electroplated coatings of zinc with supplementary treatments on iron or steel. |
| Production Standards | ISO 9001- Quality Management System ISO 14001- Environmental Management System 04 |

Part Numbers

| Item | Description | Capacity (U) | Height (mm) | Width (mm) | Depth (mm) | Net Weight (Gross Weight) | Colour |
|--------|--------------------|--------------|-------------|------------|------------|---------------------------|--------|
| 822998 | Flat Pack Wall Box | 6U | 367 | 600 | 450 | 13Kg (14.6Kg) | Black |
| 822999 | Flat Pack Wall Box | 9U | 500 | 600 | 450 | 15.8Kg (17.3Kg) | Black |
| 823000 | Flat Pack Wall Box | 12U | 633 | 600 | 450 | 18.8Kg (19.7Kg) | Black |
| 823001 | Flat Pack Wall Box | 6U | 367 | 600 | 600 | 15.4Kg (17.4Kg) | Black |
| 823002 | Flat Pack Wall Box | 9U | 500 | 600 | 600 | 18Kg (20Kg) | Black |
| 823003 | Flat Pack Wall Box | 12U | 633 | 600 | 600 | 21.8Kg (24.1Kg) | Black |
| 923004 | Flat Pack Wall Box | 15U | 767 | 600 | 600 | 26.2Kg (28.5Kg) | Black |
| 823005 | Flat Pack Wall Box | 18U | 900 | 600 | 600 | 27.6Kg (29.9Kg) | Black |
| 823325 | Flat Pack Wall Box | 21U | 1033 | 600 | 600 | 30.6Kg (33.2Kg) | Black |